

Galanz

BEVERAGE CENTER Use and Care Guide

Model No.:
GLB36MS2F07

To ensure proper use of this appliance and for your safety, please read the following instructions completely before operating this appliance.

TABLE OF CONTENTS

Beverage center safety.....	1
Important safety instructions.....	1
Disposal of the Beverage center.....	2
Grounding instructions.....	2
Location requirements.....	3
Installation instructions.....	3
Operating instructions.....	5
Parts and features.....	6
Specifications.....	7
Cleaning.....	8
Power Failure.....	8
Vacation.....	8
Moving the Beverage center.....	9
Reversing the door.....	9
Troubleshooting tips.....	10
Assistance.....	12
Limited warranty.....	13

BEVERAGE CENTER SAFETY

Your safety and the safety of others are very important. We have provided many important safety messages in this manual and on your appliance. Always read and obey all safety messages.

WARNING
This is the safety alert symbol. This symbol alerts you to potential hazards that can kill or hurt you and others. All safety messages will follow the safety alert symbol and either the word "DANGER" or "WARNING". These words mean:
DANGER You can be killed or seriously injured if you don't immediately follow instructions.
WARNING You can be killed or seriously injured if you don't follow instructions.

All safety messages will tell you what the potential hazard is, tell you how to reduce the chance of injury, and tell you what can happen if the instructions are not followed.

IMPORTANT SAFETY INSTRUCTIONS

When using electrical appliances, basic safety precautions should always be followed to reduce the risk of explosion, fire, electrical shock, and/or injury to persons, including the following:
Read all instructions before using the appliance.

- This appliance must be grounded. Connect only to properly grounded plug. See Important Grounding Instructions on page 3.
- Install or locate this beverage center only in accordance with the provided Installation Instructions.
- To protect against electric shock, do not place cord, plug, or beverage center in water or other liquid.
- The refrigerant of this product is R600a, which is flammable. Make sure not to damage the cooling system during the transportation and installation.
- Please note that servicing shall be done by factory authorized service personnel, so as to minimize the risk of possible ignition due to incorrect parts or improper service.

SAVE THESE INSTRUCTIONS

1

DISPOSAL OF THE BEVERAGE CENTER

WARNING
Suffocation Hazard
Remove door from your old beverage center. Failure to do so can result in death or brain damage.

Before you throw away your old beverage center:
1. Take off the door.
2. Leave the shelf racks in place so that children may not easily climb inside.

Refrigerants
All refrigeration products contain refrigerants, which under federal law must be removed prior to product disposal. If you are getting rid of an old refrigeration product, check with a qualified disposal company for instructions.

WARNING
Electrical Shock Hazard
Plug into a grounded 3 prong outlet. Do not remove ground prong. Do not use an adapter. Do not use an extension cord. Failure to follow these instructions can result in death, fire, or electrical shock.

This appliance must be grounded due to the event of an electrical short circuit. This appliance is equipped with a grounded wire and a grounded plug. Beverage center must be plugged into a properly installed grounded 3 prong outlet.

Consult a qualified electrician or service technician if the grounding instructions are not completely understood or if doubt exists as to whether the appliance is properly grounded.

2

LOCATION REQUIREMENTS

WARNING
Explosion Hazard
Keep flammable materials and vapors, such as gasoline, away from beverage center. Failure to do so can result in death, explosion, or fire.

- It is recommended not to install the beverage center near an oven, radiator, or other heat source.
- Do not install in a location where the temperature will fall below 55 °F (13 °C). For best performance, do not install the beverage center behind a cabinet door.
- The beverage center should be located on a firm, flat surface that is strong enough to support the beverage center when it is fully loaded.
- Leave a minimum of 1/2" (1.27 cm) between each side of the appliance and the wall. The top and back of the appliance should have a minimum 1.5" (3.81 cm) clearance. This allows for proper air circulation. This appliance is intended to be free-standing and should not be built-in or placed in recessed area.
- The beverage center legs must be adjusted during installation in order to function properly. The leveling legs on the front corners can be adjusted by turning clockwise to raise the appliance, and counter-clockwise to lower it. Be sure to have the appliance sloped slightly backward to ensure that the door closes tightly.
- Do not put the unit in a place where it is subjected to sunlight.
- Do not put the unit in a place where the ambient temperature is more than 90 °F (32 °C).

WARNING
Excessive Weight Hazard
Use two or more people to move and install beverage center. Failure to do so can result in back or other injury.

3

Before using the beverage center for the first time, remove all of the packing materials, including the foam base and adhesive tape holding accessories in place.
Before using for the first time it is recommended to allow the unit to cool to the set temperature before loading cans in the unit. Also Load 1 shelf of cans and allow the unit to cool before adding another shelf of cans.

BEVERAGE STORAGE

- The maximum capacity of GLB36MS2F07 is 96 cans (4 oz/116 ml) as shown in Figure A.
- In order to achieve the maximum capacity, arrange the 30 cans in top three rows as shown in Figure A.
- Arrange the 34 cans in bottom rack as shown in Figure B.
- Store beverages in sealed containers only.

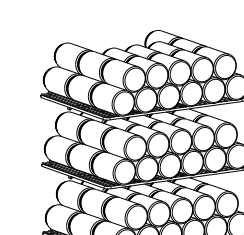


Fig. A

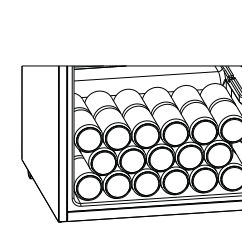


Fig. B

4

OPERATING INSTRUCTIONS

WARNING
Electrical Shock Hazard
Plug into a grounded 3 prong outlet. Do not remove ground prong. Do not use an extension cord. Failure to follow these instructions can result in death, fire, or electrical shock.

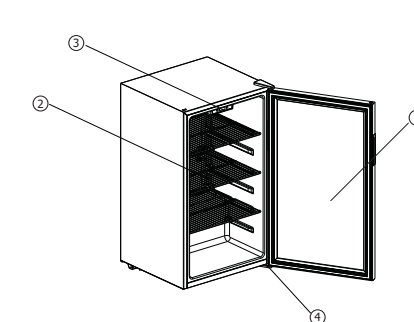
- Allow beverage center to stand upright for 4 hours before using.
- Plug beverage center into a grounded 3 prong outlet. (See "Grounding instructions".)
- Operate the beverage center by adjusting the temperature control buttons (up and down arrows) to various settings. The adjusting temperature range is 32 °F to 61 °F (0 °C to 16 °C). Touch this pad once (▲) and the temperature will increase 1 °F (1 °C). Touch this pad once (▼) and the temperature will decrease 1 °F (1 °C). The new desired temperature will flash on the display for five seconds and then back to the actual temperature which will gradually change until the set point is reached. Touch this pad (°C/°F) and the temperature display will switch between °C & °F.



4. It is recommended not to open the door frequently to minimize the power consumption.

5

PARTS AND FEATURES



- ① Glass Door
- ② Shelf Racks (3)
- ③ Electronic Control
- ④ Leveling Leg

6

SPECIFICATIONS

Model	GLB36MS2F07	
Electric shock protection type	I	
Capacity (cu.ft)	3.6	
Voltage (V)	120	
Frequency (Hz)	60	
Current (A)	0.8	
Sound (dB)	≤ 42	
Refrigerant	R600a/1.9oz	
Net weight (lbs)	67.24	
Interior temperature (F)	32-61	
Dimension (Inches)	Width	18.89
	Depth	18.70
	Height	33.46

7

CLEANING

WARNING
Explosion Hazard
Use nonflammable cleaner. Failure to do so can result in death, explosion, or fire.

Interior
Clean the interior of the appliance with a mixture of warm water and baking soda, use about 1-2 tablespoons per quart of water.
Do not use a sponge or soft cloth and make sure to wipe excess moisture out before cleaning around the controls.
Rinse thoroughly with warm water and dry with a clean soft cloth.

Exterior
Clean the exterior surface with warm water and mild detergent. Rinse thoroughly and dry with a clean, soft cloth.

Door Gasket
The door gasket must be kept clean to ensure a proper seal. Make sure to clean the gasket frequently with the method as described above for exterior cleaning.

POWER FAILURE
When a power failure occurs, the beverage center can normally keep food cool for several hours. Do not put additional food into the appliance during a power failure, and avoid opening the door. Disconnect the plug from the outlet, and reconnect when the power has been restored.

VACATION
Before leaving on any vacation, remove all open beverage while you are gone. If you plan to be gone for an extended period of time, it's recommended that all of the beverage should be removed from the appliance and it should be turned off and unplugged from the outlet. Clean the interior according to the directions provided in the Cleaning section of this manual, and leave the door open.

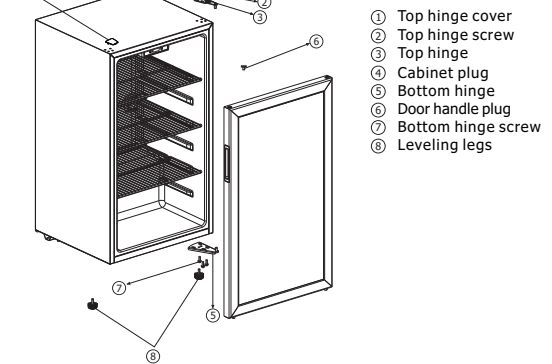
8

MOVING THE BEVERAGE CENTER

WARNING
Excessive Weight Hazard
Use two or more people to move and install beverage center. Failure to do so can result in back or other injury.

- Turn off the beverage center and unplug from the outlet.
- Remove all beverage and securely tape down all loose items inside.
- Tap the door shut.
- Do not lift or pull the door or door handle during transportation.
- When moving, the appliance can not be tilted over 45 degrees as possible damage to the sealed system could occur.
- Take care to avoid strong vibration or impact to the appliance.

REVERSING THE DOOR



9

NOTE: Do not tilt the appliance over 45 degree when reversing the door as possible damage to the sealed system may occur.

- Remove top hinge cover and 3 top hinge screws which are below it. Then remove top hinge.
- Remove 1 cabinet plug.
- Remove the door.
- Remove right and left leveling legs.
- Remove the bottom hinge and 3 bottom hinge screws.
- Install the bottom hinge on the other side of the leveling legs with 3 bottom hinge screws.
- Install right and left leveling legs. There are two holes below the beverage center to fit the two leveling legs.
- Install the door.
- Install the top hinge on the other side with 3 top hinge screws.
- Install top cover above the top hinge and install 1 cabinet plug on the other side.
- Adjust the leveling legs.

TROUBLESHOOTING TIPS

WARNING
Electrical Shock Hazard
Plug into a grounded 3 prong outlet. Do not remove ground prong. Do not use an adapter. Do not use an extension cord. Failure to follow these instructions can result in death, fire, or electrical shock.

10

Problem	Possible Cause	What to do
Beverage center does not operate	• Not plugged in tightly • Tripped circuit breaker or blown fuse • Problem with electrical outlet	• Unplug, wait 10 seconds, then plug in again. • Replace fuse or reset circuit breaker. • Consult with a qualified electrician
Beverage center seems too warm/ beverage does not seem to cool	• Temperature setting may be too warm • Door opened too frequently • Door not closed tightly	• Lower the temperature setting • This is normal • Check to make sure that nothing inside the beverage center is causing the door to not close.
Compressor runs too long, or cycles on and off frequently	• Warm weather • Hot weather • Door opened too frequently • Door not closed tightly	• This is normal • This is normal • This is normal • Make sure that nothing inside the beverage center is causing the door to not close.
Moisture forms on the outside of the appliance	• Temperature control set at coldest setting • Large amounts of beverage placed in beverage center	• Adjust temperature to a warmer setting. • This is normal
Moisture forms on the inside of the appliance	• This is normal during periods of high humidity • The door is slightly open • This is normal during periods of high humidity • Door is opened too long or too frequently	• Wipe the surface dry using a soft cloth. • Close the door tightly • This is normal
Vibration noise	• Beverage center is on an uneven surface • Beverage center is touching the wall	• Adjust the leveling legs • Move the beverage center away from the wall

11

Problem	Possible Case	What to do
"H" on the display	• Ambient temperature is too high • The interior temperature is more than 53 °F (12 °C) • Compressor issues	• Move the item away from the hot environment. • Decrease the temperature setting. • Consult with qualified electrician or customer service center
"L" on the display	• Ambient temperature is too low • The interior temperature is less than 25 °F (4 °C) • Compressor issues	• Move the item away from the cold environment. • Increase the temperature setting. • Consult with qualified electrician or customer service center
"E" on the display	• Electrical issues	• Consult with qualified electrician or customer service center
"EE" on the display	• Electrical issues	• Consult with qualified electrician or customer service center

The following are normal conditions that can be encountered during the operation of this appliance:
• The flow of refrigerant through the coils can cause a noise.
• The sides of the appliance may become warm as a result of the cooling function.

Assistance
Before calling for assistance or service, please check "Troubleshooting". It may save you the cost of a service call. If you still need help, follow the instructions below. When calling, please know the purchase date and the complete model and serial number of your appliance. This information will help us to better respond to your request.

For parts replacement
If you need to order replacement parts, we recommend that you only use factory specified replacement parts. Factory specified replacement parts will fit and work correctly because they are made with the same precision used to build every new beverage center.

12

To locate factory specified replacement parts in the area, call us or the nearest designated service center.

In the U.S.A.
toll free: 1-800-562-0738.

Limited Warranty
This warranty applies to products purchased and used in the U.S. This is the only express warranty for this product and is in lieu of any other warranty.

This product is warranted to be free from defects in material and workmanship for a period of one (1) year from the date of original purchase, except as noted below. During this period, we will repair or replace this product at our option. This warranty extends only to the original consumer purchaser and does not cover a defect resulting from abuse, misuse, neglect including failure to clean product regularly in accordance with manufacturer's instructions, use for commercial purposes, or any use not in conformity with the printed directions. This warranty is provided by Galanz-Zhongshan Galanz Consumer Electric Appliances Co., Ltd.

We exclude all claims for special, incidental, and consequential damages caused by breach of express or implied warranty. All liability is limited to the amount of the purchase price. **Every implied warranty, including any statutory warranty of merchantability or fitness for a particular purpose, is disclaimed except to the extent prohibited by law, in which case such warranty is limited to the duration of this written warranty.** This warranty gives you specific legal rights. You may have other legal rights that vary depending on where you live. Some states do not allow limitations on implied warranties or special, incidental, or consequential damages, so the foregoing limitations may not apply to you.

If you have a claim under this warranty, please call our CUSTOMER SERVICE NUMBER: 1-800-562-0738. For faster service please have model number and serial number ready for operator to assist you.

CUSTOMER SERVICE NUMBER
1-800-562-0738

KEEP THIS GUIDE FOR FUTURE REFERENCE!
Warranty: Zhengshan Galanz Consumer Electric Appliances Co., Ltd. Guangdong 528428

13