

# User Instruction Manual

Combination Microwave Oven

Model: MWUK003B

**Galanz**

Please carefully read these instructions before installing and operating the oven.

## **PRECAUTIONS TO AVOID POSSIBLE EXPOSURE TO EXCESSIVE MICROWAVE ENERGY**

1. Do not attempt to operate this oven with the door open because an open door can result in harmful exposure to microwave energy. It is important not to bypass or tamper with the safety interlocks.
2. Do not place any object between the oven front face and the door or allow oil or any type of cleaner residue to accumulate on sealing surfaces.
3. Do not operate the oven if it is damaged. It is particularly important that the oven door closes properly and that there is no damage to the:
  - 1) Door (bent),
  - 2) Hinges and latches (broken or loosened),
  - 3) Door seals and sealing surfaces.

The oven should not be adjusted or repaired by anyone except properly qualified service personnel.

## CONTENTS

|                                                                                              |           |
|----------------------------------------------------------------------------------------------|-----------|
| <b><i>PRECAUTIONS TO AVOID POSSIBLE EXPOSURE TO EXCESSIVE<br/>MICROWAVE ENERGY</i></b> ..... | <b>2</b>  |
| <b><i>IMPORTANT SAFETY INSTRUCTIONS</i></b> .....                                            | <b>4</b>  |
| <b><i>INSTALLATION</i></b> .....                                                             | <b>8</b>  |
| <b><i>RADIO INTERFERENCE</i></b> .....                                                       | <b>8</b>  |
| <b><i>GROUNDING INSTRUCTIONS</i></b> .....                                                   | <b>9</b>  |
| <b><i>MICROWAVE COOKING PRINCIPLES</i></b> .....                                             | <b>10</b> |
| <b><i>BEFORE YOU CALL FOR SERVICE</i></b> .....                                              | <b>10</b> |
| <b><i>UTENSILS GUIDE</i></b> .....                                                           | <b>11</b> |
| <b><i>SPECIFICATIONS</i></b> .....                                                           | <b>12</b> |
| <b><i>PART NAMES</i></b> .....                                                               | <b>13</b> |
| <b><i>CONTROL PANEL</i></b> .....                                                            | <b>14</b> |
| <b><i>HOW TO SET THE OVEN CONTROLS</i></b> .....                                             | <b>15</b> |
| <b><i>SETTING THE CLOCK</i></b> .....                                                        | <b>15</b> |
| <b><i>MICROWAVE COOKING</i></b> .....                                                        | <b>15</b> |
| <b><i>QUICK START</i></b> .....                                                              | <b>16</b> |
| <b><i>GRILL</i></b> .....                                                                    | <b>17</b> |
| <b><i>MICRO + GRILL</i></b> .....                                                            | <b>17</b> |
| <b><i>CONVECTION COOKING</i></b> .....                                                       | <b>17</b> |
| <b><i>MICROWAVE + CONVECTION COOKING</i></b> .....                                           | <b>19</b> |
| <b><i>TIME DEFROST</i></b> .....                                                             | <b>19</b> |
| <b><i>MULTI-STAGE COOKING</i></b> .....                                                      | <b>19</b> |
| <b><i>MUTE FUNCTION</i></b> .....                                                            | <b>20</b> |
| <b><i>CHILD SAFETY LOCK</i></b> .....                                                        | <b>20</b> |
| <b><i>AUTO COOK</i></b> .....                                                                | <b>21</b> |
| <b><i>CLEANING AND CARE</i></b> .....                                                        | <b>22</b> |

## IMPORTANT SAFETY INSTRUCTIONS

When using this electrical appliance, basic safety precautions should be followed, including the following:

**WARNING:** To reduce the risk of burns, electric shock, fire, injury to persons or exposure to excessive microwave energy:

1. Read all instructions before using the appliance and keep for future reference.
2. Use this appliance only for its intended use as described in this manual.
3. Do not use corrosive chemicals or vapours in this appliance.
4. This type of oven is specifically designed to heat, cook or dry food. It is not designed for industrial or laboratory use.
5. Do not operate the oven when empty.
6. Do not operate this appliance if it has a damaged cord or plug, if it is not working properly or if it has been damaged or dropped. If the supply cord is damaged, it must be replaced by the manufacturer or its service agent or a similarly qualified person in order to avoid a hazard.
7. **WARNING:** Only allow children to use the oven unsupervised when adequate instructions have been given so that the child is able to use the oven in a safe way and understands the hazards of improper use.
8. **WARNING:** When the appliance is operated in the combination mode, children should only use the oven under adult supervision due to the temperatures generated.
9. To reduce the risk of fire in the oven cavity:
  - a) When heating food in plastic or paper containers, keep an eye on the oven due to the possibility of ignition.
  - b) Remove wire twist-ties from paper or plastic bags before placing bag in oven.
  - c) If smoke is observed, switch off or unplug the appliance and keep the door closed in order to stifle any flames.

- d) Do not use the cavity for storage purposes.
  - e) Do not leave paper products, cooking utensils or food in the cavity when not in use.
  - f) The microwave oven is intended for heating food and beverages. Drying of clothing and heating of warming pads, slippers, sponges, damp cloth and similar may lead to risk of injury, ignition or fire.
10. **WARNING:** Liquid or other food must not be heated in sealed containers since they are liable to explode.
  11. Microwave heating of beverages can result in delayed eruptive boiling; therefore, care must be taken when handling the container.
  12. Do not fry food in the oven. Hot oil can damage oven parts and utensils, even result in skin burns.
  13. Eggs in their shell and whole hard-boiled eggs should not be heated in microwave ovens since they may explode even after microwave heating has ended.
  14. Pierce foods with heavy skins such as potatoes, whole squashes, apples and chestnuts before cooking.
  15. The contents of feeding bottles and baby jars should be stirred or shaken and the temperature should be checked before serving in order to avoid burns.
  16. Cooking utensils may become hot due to heat being transferred from the food. Potholders may be needed to handle the utensil.
  17. Utensils should be checked to ensure that they are suitable for use in the microwave ovens.
  18. **WARNING:** It is hazardous for anyone other than a trained person to carry out any service or repair operation which involves the removal of any cover which gives protection against exposure to microwave energy.
  19. This product is rated as Group 2 Class B ISM equipment. The definition of Group 2 which contains all ISM (Industrial, Scientific and Medical) equipment where radio-frequency

---

energy is intentionally generated and/or used in the form of electromagnetic radiation for the treatment of material, and spark erosion equipment. Class B is equipment suitable for use in domestic establishments and in establishments directly connected to a low voltage power supply network which supplies buildings used for domestic purpose.

20. This appliance is not intended for use by persons (including children) with reduced physical, sensory or mental capabilities, or lack of experience and knowledge, unless they have been given supervision or instruction concerning use of the appliance by a person responsible for their safety.
21. Children should be supervised to ensure that they do not play with the appliance.
22. The microwave oven is intended for freestanding use only and should not be placed in a cabinet.
23. **WARNING:** Do not install oven over a range cooktop or other heat-producing appliance. If installed the appliance could be damaged and the warranty would be void.
24. The microwave oven shall not be placed in a cabinet.
25. The door or the outer surface may get hot when the appliance is operating.
26. **WARNING:** Accessible parts may become hot during use. Young children should be kept away.
27. During use the appliance will become hot. Care should be taken to avoid touching any heating elements inside the oven.
28. The temperature of accessible surfaces may be high when the appliance is operating.
29. Appliance is not to be used by children or persons with reduced physical, sensory or mental capabilities, or lack of experience and knowledge, unless they have been given supervision or instruction.
30. **WARNING:** If the door or door seals are damaged, the oven must not be operated until it has been repaired by a competent

person.

31. The appliance is not intended to be operated by means of an external timer or separate remote-control system.
32. The microwave oven is for household use only and not for commercial use.
33. Never remove the distance holder in the back or on the sides as it ensures a minimum distance from the wall for air circulation.
34. Please secure the turntable before you move the appliance to avoid damages.
35. CAUTION: Repair or maintenance of the appliance must be conducted by either the manufacturer, service agent, or a similarly qualified person, as under these circumstances the cover which assures protection against microwave radiation may need to be removed. This also applies to changing the power cord or the lighting.
36. The microwave oven is intended for defrosting, cooking and steaming of food only.
37. Use gloves when removing heated food.
38. CAUTION! Steam will escape when opening lids or wrapping foil.
39. The appliance can be used by children aged from 8 years and above and persons with reduced physical, sensory or mental capabilities or lack of experience and knowledge providing they have been given supervision or instruction concerning use of the appliance in a safe way and understand the hazards involved. Children shall not play with the appliance. Cleaning and user maintenance shall not be conducted by children unless they are aged 8 years and above and supervised.
40. If smoke is emitted, switch off or unplug the appliance and keep the door closed in order to stifle any flames.

## **INSTALLATION**

1. Ensure that all the packing materials are removed from the inside of the door.
2. **WARNING:** Check the oven for any damage, such as misaligned or bent door, damaged door seals and sealing surface, broken or loose door hinges, latches and dents inside the cavity or on the door. If there is any damage, do not operate the oven and contact qualified service personnel.
3. This microwave oven must be placed on a flat, stable surface strong enough to hold its weight and the heaviest food likely to be cooked in the oven.
4. Do not place the oven where heat, moisture or high humidity are generated, or near combustible materials.
5. For correct operation, the oven must have sufficient airflow. A minimum 20cm of free space is necessary above the top surface of the oven and 5cm at both sides. The microwave oven rear plate must be placed close to the wall. Do not cover or block any openings on the appliance. Do not remove feet.
6. Do not operate the oven without the glass tray, roller support, and shaft in their correct positions.
7. Make sure that the power supply cord is undamaged and does not run under the oven or over any hot or sharp surface.
8. The socket must be readily accessible so that it can be easily unplugged in an emergency.
9. Do not use the oven outdoors.

## **RADIO INTERFERENCE**

Operation of the microwave oven can cause interference to your radio, TV, or similar equipment.

When there is interference, it may be reduced or eliminated by taking the following measures:

1. Clean the door and sealing surface of the oven.
2. Adjust the receiving antenna of the radio, television or other



device.

3. Relocate the microwave oven with respect to the receiver.
4. Move the microwave oven away from the receiver.
5. Plug the microwave oven into a different outlet so that the microwave oven and receiver are on different branch circuits.

## GROUNDING INSTRUCTIONS

This appliance must be grounded. This oven is equipped with a cord having a grounding wire with a grounding plug. It must be plugged into a wall socket that is properly installed and grounded. In the event of an electrical short circuit, grounding reduces risk of electric shock by providing an escape wire for the electric current. It is recommended that a separate circuit serving only the oven be provided. Using a high voltage is dangerous and may result in a fire or other accident causing oven damage.

**WARNING** Improper use of the grounding plug can result in a risk of electric shock.

### **Note:**

1. If you have any questions about the grounding or electrical instructions, consult a qualified electrician or service person.
2. Neither the manufacturer nor the dealer can accept any liability for damage to the oven or personal injury resulting from failure to observe the electrical connection procedures.

The wires in this cable main are coloured in accordance with the following code:

**Green and Yellow = EARTH**

**Blue = NEUTRAL**

**Brown = LIVE**

---

## **MICROWAVE COOKING PRINCIPLES**

1. Arrange food carefully. Place thickest parts towards the outside of dish.
2. Watch cooking time. Cook for the shortest amount of time indicated and add more as needed. Food severely overcooked can smoke or ignite.
3. Cover foods while cooking. Covers prevent spattering and help foods to cook evenly.
4. Turn foods over once during microwaving to speed cooking of such foods as chicken and hamburgers. Large items like roasts must be turned over at least once.
5. Rearrange foods such as meatballs halfway through cooking both from top to bottom and from the centre of the dish to the outside.

## **BEFORE YOU CALL FOR SERVICE**

If the oven fails to operate:

1. Check to ensure that the oven is plugged in securely. If it is not, remove the plug from the outlet, wait 10 seconds, and plug it in again securely.
2. Check for a blown circuit fuse or a tripped main circuit breaker. If these seem to be operating properly, test the outlet with another appliance.
3. Check to ensure that the control panel is programmed correctly and the timer is set.
4. Check to ensure that the door is securely closed engaging the door safety lock system. Otherwise, the microwave energy will not flow into the oven.

**IF NONE OF THE ABOVE RECTIFIES THE SITUATION, THEN CONTACT A QUALIFIED TECHNICIAN. DO NOT TRY TO ADJUST OR REPAIR THE OVEN YOURSELF.**

## UTENSILS GUIDE

1. Microwave energy cannot penetrate metal. Only use utensils that are suitable for use in microwave ovens. Metallic containers for food and beverages are not allowed during microwave cooking. This requirement is not applicable if the manufacturer specifies size and shape of metallic containers suitable for microwave cooking.
2. Microwave energy cannot penetrate metal, so metal utensils or dishes with metallic trim should not be used.
3. Do not use recycled paper products when microwave cooking as they may contain small metal fragments which may cause sparks and/or fires.
4. Round/oval dishes rather than square/oblong ones are recommended as food in corners tends to overcook.
5. Narrow strips of aluminum foil may be used to prevent overcooking of exposed areas. Be careful not to use too much and keep a distance of 1 inch (2.54cm) between the foil and cavity.

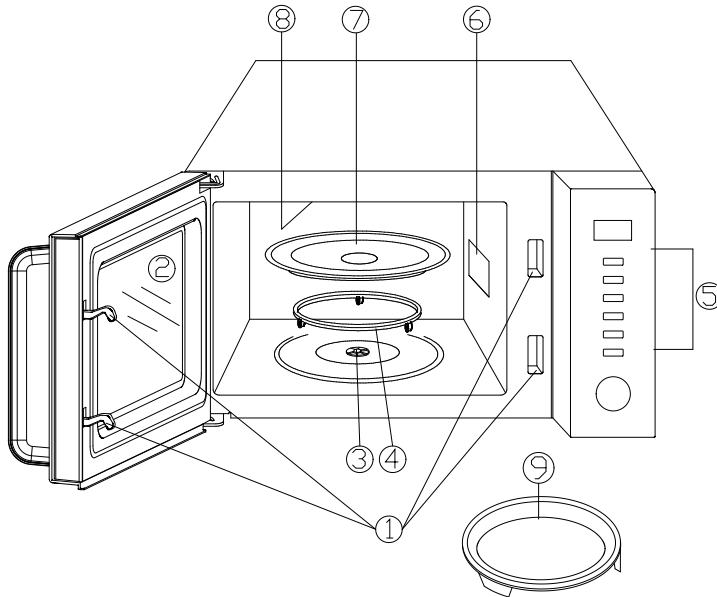
The list below is a general guide to help you select the correct utensils.

| COOKWARE                        | MICROWAVE | GRILL | CONVECTION | COMBINATION |
|---------------------------------|-----------|-------|------------|-------------|
| Heat-Resistant Glass            | Yes       | Yes   | Yes        | Yes         |
| Non Heat-Resistant Glass        | No        | No    | No         | No          |
| Heat-Resistant Ceramics         | Yes       | Yes   | Yes        | Yes         |
| Microwave-Safe Plastic Dish     | Yes       | No    | No         | No          |
| Kitchen Paper                   | Yes       | No    | No         | No          |
| Metal Tray                      | No        | Yes   | Yes        | No          |
| Metal Rack                      | No        | Yes   | Yes        | No          |
| Aluminum Foil & Foil Containers | No        | Yes   | Yes        | No          |

**SPECIFICATIONS**

|                                |                            |
|--------------------------------|----------------------------|
| Power Supply                   | 230-240V/50Hz              |
| Power Consumption (Microwave)  | 1400W                      |
| Power Consumption (Grill)      | 1950W                      |
| Power Consumption (Convection) | 1950W                      |
| Rated Microwave Power Output   | 900W                       |
| Operation Frequency            | 2450MHz                    |
| Outside Dimensions             | 281mm(H)×483mm(W)×435mm(D) |
| Oven Cavity Dimensions         | 220mm(H)×340mm(W)×344mm(D) |
| Oven Capacity                  | 25 Litres                  |
| Net Weight                     | Approx. 16.4 kg            |

## PART NAMES



1. Door Safety Lock System
2. Oven Window
3. Coupling
4. Roller Ring
5. Control Panel
6. Wave Guide(Please do not remove the mica plate covering the wave guide)
7. Glass Tray
8. Grill Heater
9. Baking Tray

## CONTROL PANEL

### Display Screen

Cooking time, power, indicators and clock time are displayed.

### Power Level

Press to select microwave cooking power level.

### Clock/Weight

Press to set the clock or to set food weight.

### Grill/Micro+Grill

Press to set a grill or a combination cooking programme.

### Convection

Press to select a convection cooking settings.

### Micro+Convection

Press to select a microwave and convection programme.

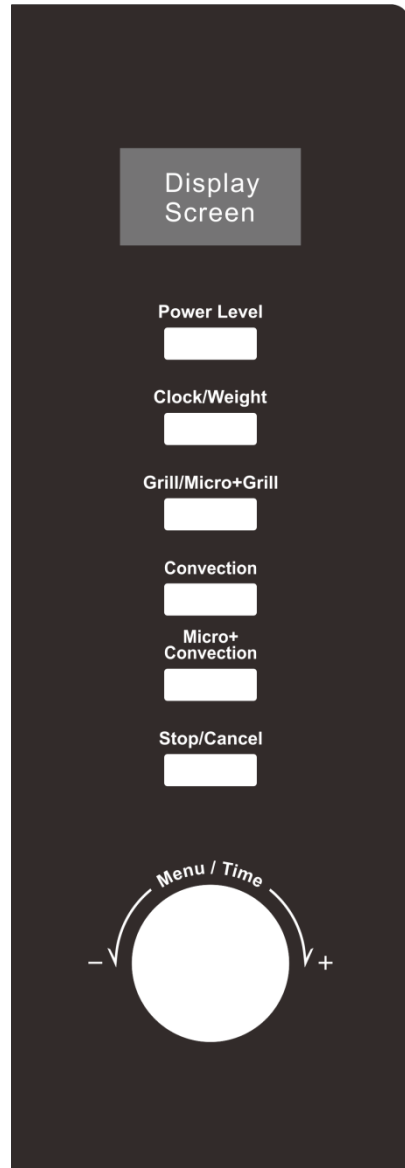
### Stop/Cancel

Touch to stop cooking programme or clear all previous settings before cooking starts.


### Menu/Time

Rotate to set cooking time or select auto-menu.

Press to start cooking programme or set quick start cooking programme.



## HOW TO SET THE OVEN CONTROLS

- When the oven is first plugged in, a beep will sound and the display will show “” and also “1:00”.
- During cooking, if the STOP/CANCEL button is pressed once or the door is opened, the program will be paused. Press the MENU/TIME dial to resume or the STOP/CANCEL pad twice to cancel
- After cooking ends, the screen will display “END” and the beeper will sound every two minutes until either the user presses any button or opens the door.
- At the end of any cooking operation greater than 2 minutes or if an operation is paused, the cooling fan will automatically operate for approximately 3 minutes.

### SETTING THE CLOCK

This unit has a 12 and 24 hour clock, which can be set by taking the following steps:

1. Press CLOCK/WEIGHT button once or twice to choose 12 or 24 hour clock.
2. Rotate the MENU/TIME dial until the correct hour is displayed.
3. Press CLOCK/WEIGHT button.
4. Rotate the MENU/TIME dial until the correct minute is displayed.
5. Press CLOCK/WEIGHT button to confirm.

### MICROWAVE COOKING

For microwave cooking you can customize the cooking power and time. First select a power level by pressing the POWER LEVEL button (see the table below) and then turn the MENU/TIME dial to enter the cooking time. The maximum cooking time is 95 minutes. The oven will start cooking after the MENU/TIME dial is pressed.

**Press POWER LEVEL pad to choose cooking power level:**

| Press POWER LEVEL button | Cooking Power |
|--------------------------|---------------|
| Once                     | 100%          |
| Twice                    | 90%           |
| 3 times                  | 80%           |
| 4 times                  | 70%           |
| 5 times                  | 60%           |
| 6 times                  | 50%           |
| 7 times                  | 40%           |
| 8 times                  | 30%           |
| 9 times                  | 20%           |
| 10 times                 | 10%           |
| 11 times                 | 0%            |

*(Example)*

Setting to cook for 5 minutes at 60% Power Level:

1. Open the door and place the food into the oven, close it.
2. Press the POWER LEVEL button until the screen shows the intended power.
3. Use the MENU/TIME dial to enter cooking time until the correct cooking time (5:00) is displayed.
4. Press MENU/TIME dial to start.

**NOTE:** You can check the cooking power level while cooking is in progress by pressing the POWER LEVEL button.

## QUICK START

Use this feature to program the oven to start at 100% power conveniently. The maximum time that can be set is 10 minutes. During cooking, you can press MENU/TIME dial to add cooking time.

1. Open the door and place the food into the oven, close the door.
2. Press MENU/TIME dial in quick succession to set the cooking time. The cooking program will start immediately.



## GRILL

Grill cooking is particularly useful for thin slices of meat, steaks, chops, kebabs, sausages and pieces of chicken. It is also suitable for hot sandwiches. Maximum cooking time you can set is 95 minutes.

Suppose you want to set the grill cooking for 12 minutes.

1. Open the door and place the food into the oven, close it.
2. Press GRILL/MICRO+GRILL button once.
3. Turn the MENU/TIME dial to 12:00.
4. Press MENU/TIME dial button to start.

## MICRO + GRILL

The maximum cooking time is 95 minutes.

*(Example)*

Suppose you want to set combination cooking for 25 minutes.

1. Open the door and place the food into the oven, close the door.
2. Press GRILL/MICRO+GRILL button twice or three times.

| Press COMBI. button | Combination | Use                                            |
|---------------------|-------------|------------------------------------------------|
| Twice               | Co-1        | fish, potatoes or au gratin                    |
| Three times         | Co-2        | pudding, omelettes, baked potatoes and poultry |

3. Turn MENU/TIME dial to 25:00.
4. Press MENU/TIME dial to start.

**NOTE:** During cooking, you can press the GRILL/MICRO+GRILL button to check the combination mode.

## CONVECTION COOKING

During convection cooking, hot air is circulated throughout the oven cavity to make crisp foods quickly and evenly. This oven has ten different cooking temperatures, from 110°C to 200°C. The longest

cooking time is 9 hour 30 minutes.

*(Example)*

Setting convection cooking at 150°C for 25 minutes:

1. Press CONVECTION button repeatedly to select desired temperature.
2. Rotate MENU/TIME dial to set the cooking time “25:00”.
3. Press MENU/TIME dial to start the cooking program

Noted: During cooking, users can check the cooking temperature by pressing CONVECTION once.

### **To preheat and cook with convection**

The oven can be programmed to combine preheating and convection cooking.

1. Press CONVECTION button repeatedly to select desired temperature.
2. Press MENU/TIME dial to start the oven. The oven will heat up gradually and beeps will sound when it reaches up to the desired temperature.
3. Open the door and place the food inside the cavity.
4. Turn MENU/TIME dial to set the cooking time.
5. Touch MENU/TIME dial to start the cooking program.

NOTE: The longest preheat time is 30 minutes and the time can not be set. When the temperature reaches the pre-set temperature, the beeps will sound every 5 seconds. The program will end if there is no operation within 30 minutes.

## **MICROWAVE + CONVECTION COOKING**

Under this mode, the program can be set at four temperatures: 110°C, 140°C, 170°C and 200°C. The maximum cooking time is 9 hour 30 minutes.

1. Press MICRO+CONVECTION button repeatedly to set the cooking temperature.
2. Turn MENU/TIME dial to set the cooking time.
3. Touch MENU/TIME dial to start the cooking program.

NOTE: During cooking, user can check the cooking temperature by press the MICRO+CONVECTION button.

## **TIME DEFROST**

The longest time of this mode is 95 minutes.

1. Rotate MENU/TIME dial anti-clockwise until the "A-9" is displayed.
2. Press CLOCK/WEIGHT button once.
3. Rotate MENU/TIME dial to set the defrosting time.
4. Press MENU/TIME dial to start the defrosting program.

Note : During the defrosting program, the system will pause and beeps will sound to remind users to turn the food around. After doing this, user can press MENU/TIME button to resume the program.

## **MULTI-STAGE COOKING**

The oven can be set up to 3 different stages of cooking programs. For different stages, the cooking programs which can be set are shown below:

| First stage                                                                                                                                                                                                                                      | Second stage                                                                                                                                                                                                                 | Third stage                                                                                                                                                                                                                  |
|--------------------------------------------------------------------------------------------------------------------------------------------------------------------------------------------------------------------------------------------------|------------------------------------------------------------------------------------------------------------------------------------------------------------------------------------------------------------------------------|------------------------------------------------------------------------------------------------------------------------------------------------------------------------------------------------------------------------------|
| <ul style="list-style-type: none"> <li>● Time defrost</li> <li>● Microwave cooking</li> <li>● Grill cooking</li> <li>● Microwave+Grill cooking</li> <li>● Convection cooking (non-preheating)</li> <li>● Microwave+Convection cooking</li> </ul> | <ul style="list-style-type: none"> <li>● Microwave cooking</li> <li>● Grill cooking</li> <li>● Microwave+Grill cooking</li> <li>● Convection cooking (without preheating)</li> <li>● Microwave+Convection cooking</li> </ul> | <ul style="list-style-type: none"> <li>● Microwave cooking</li> <li>● Grill cooking</li> <li>● Microwave+Grill cooking</li> <li>● Convection cooking (without preheating)</li> <li>● Microwave+Convection cooking</li> </ul> |

Operations as below:

1. Set the first stage cooking program, but NOT press MENU/TIME dial.
2. Set the second stage cooking program, but NOT press MENU/TIME dial.
3. Set the third stage cooking program.
4. Press MENU/TIME dial to start the program.

### MUTE FUNCTION

- To set the mute function: In standby mode, press and hold POWER LEVEL button for 3 seconds, a beep will sound to indicate the mute mode is on.
- To cancel the mute function: In MUTE mode, press and hold POWER LEVEL button for 3 seconds.

### CHILD SAFETY LOCK

The childproof lock prevents unsupervised operation by young children.

- To set the child lock: In standby mode, one minute without any operation the oven will auto enter child lock mode. In the lock mode, the oven can't be operated.
- To cancel the child lock: In child lock mode, open or close the oven door.

## AUTO COOK

For food in the table below, it is not necessary to program the time and the cooking power. It is sufficient to indicate the type of food that you want to cook as well as the weight of this food.

1. Open the door and place the food into the oven, close the door.
2. Rotate the MENU/TIME dial anti-clockwise once and turn it clockwise to select food code.
3. Press CLOCK/WEIGHT to enter weight, check the screen for number of servings or preset weights(this should match the weight of food that you have placed in the oven).
4. Press MENU/TIME dial to start.

Auto cook menu:

| Food Code | Menu                   | Notes:                                                                                                                                                                                                                                                                                                                                                                                                                                                                                                                                                                                                   |
|-----------|------------------------|----------------------------------------------------------------------------------------------------------------------------------------------------------------------------------------------------------------------------------------------------------------------------------------------------------------------------------------------------------------------------------------------------------------------------------------------------------------------------------------------------------------------------------------------------------------------------------------------------------|
| A-1       | Potatoes(each 230g)    | <ol style="list-style-type: none"> <li>1. For tea/coffee and potato, the screen will show the number of serving instead of food weight when pressing CLOCK/WEIGHT button.</li> <li>2. For chicken, the oven stops during cooking to let the user to turn food over for uniform defrosting and then press MENU/TIME dial to finish the remaining time.</li> <li>3. The result of auto cooking depends on factors such as voltage fluctuation, the shape and size of food, your personal preference as to the doneness of certain foods and even how well you happen to place food in the oven.</li> </ol> |
| A-2       | Tea/Coffee (200ml/cup) |                                                                                                                                                                                                                                                                                                                                                                                                                                                                                                                                                                                                          |
| A-3       | Popcorn (g)            |                                                                                                                                                                                                                                                                                                                                                                                                                                                                                                                                                                                                          |
| A-4       | Reheat(g)              |                                                                                                                                                                                                                                                                                                                                                                                                                                                                                                                                                                                                          |
| A-5       | Spaghetti(g)           |                                                                                                                                                                                                                                                                                                                                                                                                                                                                                                                                                                                                          |
| A-6       | Pizza(g)               |                                                                                                                                                                                                                                                                                                                                                                                                                                                                                                                                                                                                          |
| A-7       | Chicken(g)             |                                                                                                                                                                                                                                                                                                                                                                                                                                                                                                                                                                                                          |
| A-8       | Cake(475g)             |                                                                                                                                                                                                                                                                                                                                                                                                                                                                                                                                                                                                          |

---

## CLEANING AND CARE

1. Turn off the oven and remove the power plug from the wall socket before cleaning.
2. Keep the inside of the oven clean. When food splatters or spilled liquids adhere to oven walls, wipe with a soft damp cloth. Mild detergent may be used if the oven gets very dirty. Avoid the use of spray and other harsh cleaners as they may stain, streak or dull the door surface.
3. The outside surfaces should be cleaned with a soft damp cloth. To prevent damage to the operating parts inside the oven, water should not be allowed to seep into the ventilation openings.
4. Wipe the door and window on both sides, the door seals and adjacent parts frequently with a soft damp cloth to remove any spills or splatters. Do not use an abrasive cleaner.
5. A steam cleaner is not be used.
6. Do not allow the control panel to become wet. Clean with a soft, damp cloth. When cleaning the control panel, leave oven door open to prevent oven from accidentally turning on.
7. If steam accumulates inside or around the outside of the oven door, wipe with a soft cloth. This may occur when the microwave oven is operated under high humidity. This condition is normal.
8. It is occasionally necessary to remove the glass tray for cleaning. Wash the tray in warm sudsy water or in a dishwasher.
9. The roller ring and oven floor should be cleaned regularly to avoid excessive noise. Simply wipe the bottom surface of the oven with mild detergent. The roller ring may be washed in mild soapy water or a dishwasher. When removing the roller ring from the cavity floor for cleaning, be sure to replace in the correct position.
10. Remove odours from your oven by combining a cup of water with the juice and skin of one lemon in a deep microwave bowl, microwave for 5 minutes. Wipe thoroughly and dry with a soft

cloth.

11. When it becomes necessary to replace the oven light, please consult a dealer to have it replaced.
12. The oven should be cleaned regularly and any food deposits removed. Failure to maintain the oven in a clean condition could lead to deterioration of the surface that could adversely affect the life of the appliance and possibly result in a hazardous situation.
13. Please do not dispose of this appliance into a domestic rubbish bin. Please follow local authority guidelines.
14. When the grill function is first used, it may produce slight smoke and smell. This is a normal phenomenon because the oven is made of a steel plate coated with lubricating oil which burns off with heat. This phenomenon will stop after a few uses. It is therefore recommended that the unit is run in grill mode for 30 minutes prior to first use.

Produced for:  
Galanz (UK) Ltd  
54 Clarendon Road,  
WD17 1DU  
UK

The user manual can also be checked and downloaded from our website: [www.galanz.co.uk](http://www.galanz.co.uk)

**Galanz**