

# User Instruction Manual

Combination Microwave Oven  
Model: MWBIUK001B / MWBIUK002SS

**Galanz**

Please carefully read these instructions before installing and operating the oven

## **PRECAUTIONS TO AVOID POSSIBLE EXPOSURE TO EXCESSIVE MICROWAVE ENERGY**

1. Do not attempt to operate this oven with the door open as this could result in harmful exposure to microwave energy. It is important not to bypass or tamper with the safety interlocks.
2. Do not place any object between the oven front face and the door or allow oil or any type of cleaner residue to accumulate on the sealing surfaces.
3. Do not operate the oven if it is damaged. It is particularly important that the oven door closes properly and that there is no damage to the:
  - 1) Door (bent);
  - 2) Hinges and latches (broken or loose);
  - 3) Door seals and sealing surfaces.
4. The oven should only be adjusted or repaired by qualified service personnel.

## CONTENTS

<b>PRECAUTIONS TO AVOID POSSIBLE EXPOSURE TO EXCESSIVE MICROWAVE ENERGY .....</b>	<b>2</b>
<b>IMPORTANT SAFETY INSTRUCTIONS.....</b>	<b>4</b>
<b>INSTALLATION.....</b>	<b>7</b>
<b>RADIO INTERFERENCE.....</b>	<b>7</b>
<b>GROUNDING INSTRUCTIONS.....</b>	<b>8</b>
<b>MICROWAVE COOKING PRINCIPLES.....</b>	<b>9</b>
<b>BEFORE YOU CALL FOR SERVICE .....</b>	<b>9</b>
<b>UTENSILS GUIDE .....</b>	<b>10</b>
<b>SPECIFICATIONS.....</b>	<b>11</b>
<b>PART NAMES .....</b>	<b>12</b>
<b>CONTROL PANEL.....</b>	<b>13</b>
<b>OPERATING INSTRUCTIONS.....</b>	<b>14</b>
<b>EXPRESS COOKING.....</b>	<b>15</b>
<b>MICROWAVE COOKING .....</b>	<b>15</b>
<b>GRILL.....</b>	<b>15</b>
<b>CONVECTION .....</b>	<b>15</b>
<b>MICROWAVE + CONVECTION.....</b>	<b>16</b>
<b>MICROWAVE + GRILL.....</b>	<b>16</b>
<b>REHEAT.....</b>	<b>16</b>
<b>DEFROST.....</b>	<b>17</b>
<b>FAVOURITES FUNCTION.....</b>	<b>17</b>
<b>CHILD LOCK .....</b>	<b>17</b>
<b>AUTO COOK.....</b>	<b>18</b>
<b>SETTING THE SYSTEM.....</b>	<b>19</b>
<b>SYSTEM POWER DOWN PROTECTION .....</b>	<b>19</b>
<b>SETTING THE LAMP.....</b>	<b>19</b>
<b>TROUBLE SHOOTING.....</b>	<b>20</b>
<b>CLEANING AND CARE.....</b>	<b>21</b>
<b>INSTALLATION GUIDANCE .....</b>	<b>23</b>

## IMPORTANT SAFETY INSTRUCTIONS

When using this electrical appliance basic safety precautions should be followed including:

**WARNING!**--To reduce the risk of burns, electric shock, fire, injury or exposure to excessive microwave energy:

1. Read all instructions before using the appliance and keep for future reference.
2. Use this appliance only for its intended use as described in the manual. Do not use corrosive chemicals or vapours in this appliance. This type of oven is specifically designed to heat, cook or dry food. It is not designed for industrial or laboratory use.
3. Do not operate the oven when empty.
4. Do not operate this appliance if it has a damaged cord or plug, if it is not working properly, or if it has been damaged or dropped. If the supply cord is damaged, it must be replaced by the manufacturer or its service agent or a similarly qualified person in order to avoid a hazard.
5. **WARNING!**--Only allow children to use the oven unsupervised when adequate instructions have been given so that the child is able to use the oven in a safe way and understands the hazards of improper use.
6. **WARNING!**--When the appliance is operated in the combination mode, children should only use the oven under adult supervision due to the temperatures that are generated.
7. To reduce the risk of fire in the oven cavity:
  - When heating food in plastic or paper containers, check the oven frequently for any signs of ignition.
  - Remove wire twist-ties from paper or plastic bags before placing bag in oven.
  - If smoke is observed, switch off or unplug the appliance and keep the door closed in order to stifle any flames.
  - Do not use the cavity for storage purposes. Do not leave paper

products, cooking utensils, or food in the cavity when not in use.

- The microwave oven is intended for heating food and beverages. The drying of clothing, heating of warming pads, slippers, sponges and damp cloths and similar may lead to the risk of injury, ignition or fire.
- 8. **WARNING!**--Liquid or other food must not be heated in sealed containers since they are liable to explode.
- 9. Microwave heating of beverages can result in delayed eruptive boiling therefore care should be taken when handling the container.
- 10. Do not fry food in the oven. Hot oil can damage oven parts and utensils and can cause skin burns.
- 11. Eggs in their shells and whole hard-boiled eggs should not be heated in microwave ovens since they may explode even after the microwave heating has ended.
- 12. Pierce foods with heavy skins such as potatoes, whole squashes, apples and chestnuts before cooking.
- 13. The contents of feeding bottles and baby jars should be stirred or shaken and the temperature should be checked before serving in order to avoid burns.
- 14. Cooking utensils may become hot because of the heat transferred from the heated food. Pot holders may be needed to handle the utensil.
- 15. Utensils should be checked to ensure that they are suitable for use in a microwave oven.
- 16. **WARNING!**--It is hazardous for anyone other than a trained person to carry out any service or repair operation which involves the removal of any cover which gives protection against exposure to microwave energy. This includes changing the power cord or internal light.
- 17. This microwave complies with EN 55011/CISPR 11, in this standard it belongs to Class B Group 2 classification. Group 2 equipment: group 2 contains all ISM RF equipment in which

radio-frequency energy in the frequency range 9 kHz to 400 GHz is intentionally generated and used or only used locally, in the form of electro-magnetic radiation, inductive and/or capacitive coupling, for the treatment of material, for inspection/analysis purposes, or for transfer of electromagnetic energy. Class B equipment is equipment suitable for use in locations in residential environments and in establishments directly connected to a low voltage power supply network which supplies buildings used for domestic purposes.

18. This appliance is not intended for use by persons (including children) with reduced physical, sensory or mental capabilities, or lack of experience and knowledge, unless they have been given supervision or instruction concerning use of the appliance by a person responsible for their safety.
19. Children should be supervised to ensure that they do not play with the appliance.
20. **WARNING!**--Do not install the oven over a range, cooker top or other heat-producing appliance as this could cause damage and would void the warranty.
21. The microwave oven must be fitted to a cabinet.
22. The door or the outer surface may get hot when the appliance is operating.
23. **WARNING!**--Accessible parts may become hot during use. Young children should be kept away.
24. During use the appliance becomes hot. Care should be taken to avoid touching the heating elements inside the oven.
25. The temperature of accessible surfaces may be high when the appliance is operating.
26. **WARNING!**--If the door or door seals are damaged, the oven must not be operated until it has been repaired by a competent person.
27. The appliance must not be operated by means of an external timer or separate remote-control system.
28. The microwave oven is for household use only and not for

commercial use.

29. Never remove the distance holders (if fitted) at the back or on the sides of the product as they ensure a minimum distance from the wall is maintained for air circulation.
30. To avoid damage, please secure the turntable before you move the appliance.
31. Use gloves to remove heated food.
32. Caution! Steam will escape when opening lids or unwrapping foil.

## INSTALLATION

1. Ensure that all the packing materials are removed from the inside of the door.
2. **WARNING!**--Check the oven for any damage, such as a misaligned or bent door, damaged door seals and sealing surface, broken or loose door hinges, latches and dents inside the cavity or on the door. If there is any damage, do not operate the oven and contact customer services.
3. This microwave oven must be placed on a flat, stable surface strong enough to hold its weight and the heaviest food likely to be cooked in the oven.
4. Do not place the oven where heat, moisture or high humidity is generated or near combustible materials.
5. Make sure that the power supply cord is undamaged and does not run under the oven or over any hot or sharp surfaces.
6. The socket must be readily accessible so that it can be easily unplugged in an emergency.
7. Do not use the oven outdoors.

## RADIO INTERFERENCE

Operation of the microwave oven can cause interference to your radio, TV or similar equipment.

When there is interference, it may be reduced or eliminated by taking the following measures:

1. Clean the door and sealing surface of the oven.
2. Adjust the receiving antenna of the radio, television or other device.
3. Relocate the microwave oven with respect to the receiver.
4. Move the microwave oven away from the receiver.
5. Plug the microwave oven into a different outlet so that the microwave oven and receiver are on different branch circuits.

## **GROUNDING INSTRUCTIONS**

This appliance must be grounded and is equipped with a cord having a grounding wire with a grounding plug. It must be plugged into a wall socket that is properly installed and grounded. In the event of an electrical short circuit, grounding reduces risk of electric shock by providing an escape wire for the electric current. It is recommended that a separate circuit serving only the oven be provided.

**WARNING!**--Improper use of the grounding plug can result in a risk of electric shock.

### **Note:**

1. If you have any questions about the grounding or electrical instructions, consult a qualified electrician or service person.
2. Neither the manufacturer nor the dealer can accept any liability for damage to the oven or personal injury resulting from failure to observe the electrical connection procedures.

The wires in this cable main are coloured in accordance with the following code:

**Green and Yellow = EARTH**

**Blue = NEUTRAL**

**Brown = LIVE**



## **MICROWAVE COOKING PRINCIPLES**

1. Arrange food carefully. Place thickest parts towards the outside of dish.
2. Watch cooking time. Cook for the shortest amount of time indicated and add more as needed. Food severely overcooked can smoke or ignite.
3. Cover food while cooking. Covers prevent spattering and help food to cook evenly.
4. Turn food over once during microwaving to speed cooking of foods such as chicken and hamburgers. Large items like roasts must be turned over at least once.
5. Rearrange foods such as meatballs halfway through cooking both from top to bottom and from the centre of the dish to the outside.

## **BEFORE YOU CALL FOR SERVICE**

If the oven fails to operate:

1. Check to ensure that the oven is plugged in securely. If it is not, remove the plug from the outlet, wait 10 seconds, and plug it in again securely.
2. Check for a blown circuit fuse or a tripped main circuit breaker. If these seem to be operating properly, test the outlet with another appliance.
3. Check to ensure that the control panel is programmed correctly and the timer is set.
4. Check to ensure that the door is securely closed engaging the door safety lock system otherwise the microwave energy will not flow into the oven.

**IF NONE OF THE ABOVE RECTIFIES THE SITUATION, CONTACT CUSTOMER SERVICE OR A QUALIFIED TECHNICIAN. DO NOT TRY TO ADJUST OR REPAIR THE OVEN YOURSELF.**

## UTENSILS GUIDE

1. Microwave energy cannot penetrate metal. Only use utensils that are suitable for use in microwave ovens. Metallic containers for food and beverages are not allowed during microwave cooking. This requirement is not applicable if the manufacturer specifies size and shape of metallic containers suitable for microwave cooking. Metal utensils or dishes with metallic trim should not be used.
2. Do not use recycled paper products when microwave cooking as they may contain small metal fragments which may cause sparks and/or fires.
3. Round dishes rather than square ones are recommended as food in corners tends to overcook.
4. Narrow strips of aluminium foil may be used to prevent overcooking of exposed areas. Be careful not to use too much and keep a distance of 1 inch (2.54cm) between the foil and cavity.

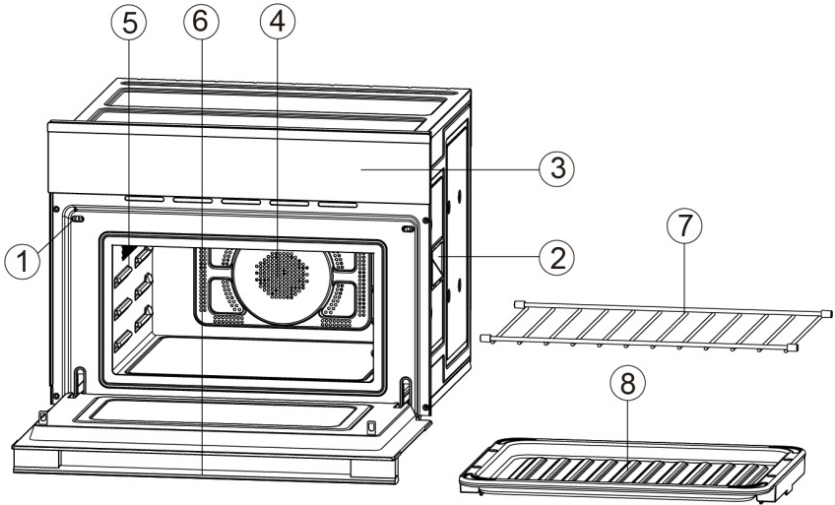
The list below is a general guide to help you select the correct utensils.

COOKWARE	MICROWAVE	GRILL	CONVECTION	COMBINATION
Heat-Resistant Glass	Yes	Yes	Yes	Yes
Non Heat-Resistant Glass	No	No	No	No
Heat-Resistant Ceramics	Yes	Yes	Yes	Yes
Microwave-Safe Plastic Dish	Yes	No	No	No
Kitchen Paper	Yes	No	No	No
Metal Tray	No	Yes	Yes	No
Metal Rack	No	Yes	Yes	No
Aluminium Foil & Foil Containers	No	Yes	Yes	No

**SPECIFICATIONS**

Power Supply	230-240V/50Hz
Power Consumption (Microwave)	1400W
Power Consumption (Grill)	1350W
Power Consumption (Convection)	2050W
Rated Microwave Power Output	900W
Operation Frequency	2450MHz
Outside Dimensions	455mm(H)×595mm(W)×505mm(D)
Oven Cavity Dimensions	215mm(H)×405mm(W)×351mm(D)
Oven Capacity	32 Litres
Net Weight	Approx. 26.0 kg

## PART NAMES



1. Door Safety Lock System
2. Carry Handle
3. Control Panel
4. Convection Fan
5. Grill Support
6. Oven Door Handle
7. Grill Rack
8. Baking Plate

## CONTROL PANEL



Press it once, the system will prompt user whether to cancel the programme.

Use to return to the home page interface.



Use this pad to switch the oven light on or off.



Press to start the cooking cycle.

Simply press repeatedly to set cooking time and cook immediately at full power level.




Press once to pause cooking, or twice to cancel cooking.

It is also used for setting the child lock.

## OPERATING INSTRUCTIONS

- When the oven is first plugged in, the "⌚" pad will flash. Press the "⌚" pad once, the display will show the boot-up interface and the oven will enter the home page operation interface.
- During cooking, if the oven door is opened, pause "⏸" or "⌚" "pressed once, the programme will be paused. Press "▶" or "⏪" to resume cooking. Pressing "⌚" pad twice will cancel the programme. When "📺", "📺" or "📺" options are selected, the system will prompt you whether to cancel the programme.
- The appliance has an in-built cooling function. For some cooking modes where the cooking time is above 2 minutes, the oven fan will continue to run for about 3 minutes after the end of the cooking cycle or if the operation is paused. This automatically cools the oven prolonging its life.
- During cooking (except auto cook menus and defrost programmes) you can add to the cooking time by pressing "⏵". Each press extends the cooking time for 30 seconds. This function also works after the end of the cooking cycle.
- The oven has a power saving function and the system will automatically enter the power saving state under non-cooking conditions.
- After the cooking cycle ends, press "📺" and the oven will enter the home page operation interface. The "Favourites" or "+30s" options can also be activated at this time.
- During cooking, if the oven door is opened the system will prompt the user to close the oven door. After closing the door, the system will prompt the user whether to continue cooking.
- On the home page or menu, the user can slide from the top of the screen to enter the drop-down menu. Slide up from the bottom of the drop-down menu to close the drop-down menu.

## EXPRESS COOKING

Use this feature to programme the oven to microwave food at 100% power conveniently. The maximum time that can be set is 99 minutes and 59 seconds. In standby mode, open the door and place the food into the oven, close it. Press "" once and the oven will start working automatically.

## MICROWAVE COOKING

1. In standby mode, select "Inverter Microwave" on the home page.
2. Select the power by sliding the screen to the required level and then press (0W→100W→200 W→300 W→400 W →500 W→600 W→700 W →800 W→900 W).
3. Enter the cooking time by sliding the screen. The longest time is 99 minutes and 59 seconds.
4. Press "Confirm" once to start.

## GRILL

1. In standby mode, select "Grill" on the home page.
2. Enter the cooking time by sliding the screen. The longest time is 99 minutes and 59 seconds.
3. Press "Confirm" once to start.

**NOTE:** The default temperature is 170°C.

## CONVECTION

1. In standby mode, select "Convection" on the home page.
2. Select the temperature or power by sliding the screen and then press (110°C→120°C→130°C→140°C →150°C→160°C→170°C →180°C→190°C→200°C).
3. Enter the cooking time by sliding the screen. The longest time is 99 minutes and 59 seconds.
4. Press "Confirm" once to start.

**MICROWAVE + CONVECTION**

1. In standby mode select "Microwave + Convection" on the home page.
2. Select the temperature by sliding the screen and then press (110°C→140°C→170°C→200°C).
3. Enter the cooking time by sliding on the screen. The longest time is 99 minutes and 59 seconds.
4. Press "Confirm" once to start.

**MICROWAVE + GRILL**

Mode 1: 30% time for microwave cooking and 70% time for grill cooking. Use for fish or au gratin.

Mode 2: 55% time for microwave cooking and 45% time for grill cooking. Use for puddings omelettes, baked potatoes and poultry.

1. In standby mode, select "Microwave + Grill" on the home page.
2. Select the combination mode on the screen and then press it (Level 1 or Level 2).
3. Enter the cooking time by sliding the screen. The longest time is 99 minutes and 59 seconds.
4. Press "Confirm" once to start.

**REHEAT**

1. Select "Reheat" on the home page.
2. Enter the cooking time by sliding the screen. The longest time is 99 minutes and 59 seconds.
3. Press "Confirm" to start.

**NOTE:** The default power level is 900W.



## DEFROST

1. Select "Defrost" on the home page.
2. Select "Fish" or "Meat" by sliding the screen.
3. Select the food weight by sliding on the screen (100g~1800g).  
The oven will start cooking automatically.

**NOTE:** During the defrosting process, the system will pause to prompt the user to turn the food over. Once turned, close the oven door and press "Confirm" to resume the defrosting.

## FAVOURITES FUNCTION

1. Select "My Favourites" on the home page.
2. Select the required cooking programme.
3. Press "Confirm" once to start.

**NOTE:** The maximum amount of cooking programmes that can be stored is 50. Once reached "My Favourites" will indicate "Favourite is full!". To delete a favourite, simply find the cooking programme and press and hold or slide it to the left.

## CHILD LOCK

The child proof lock prevents unsupervised operation by children.

To set the child proof lock: In standby mode press and hold "ⓘ" for 3 seconds or more which turns off the display screen.

To cancel the child proof lock: In child lock mode press and hold "ⓘ" or "🔒" for 3 seconds or more and the oven can be operated.

## AUTO COOK

In this mode it is not necessary to programme the time and the cooking power. It is sufficient to indicate the type of food that you want to cook as well as the weight or portions of the food.

1. Select "Auto Menu" on the home page.
2. Select the menu of food by sliding the screen (Microwave Menu or Convection Grill Recipes).
3. Select the sub-menu of food by sliding the screen.
4. Enter the food weight or portions by sliding the screen.
5. Press "Confirm" once to start.

### Auto cook menus:

Food	Notes
Milk/Tea/Coffee Heating (200ml/cup, 1-3cup)	<ol style="list-style-type: none"> <li>1. For grilled food, during cooking you need to turn the food over.</li> <li>2. The results of auto cooking depend on factors such as voltage fluctuation, the shape and size of food, your personal preferences and how well you place food in the oven. If you find the result is not quite satisfactory, please adjust the cooking time accordingly.</li> </ol>
White Rice (150-600g)	
Spaghetti (100-300g)	
Soup (300-900g)	
Potato (230-690g)	
Popcorn (99g)	
Vegetables (200-600g)	
Steamed Fish (200-600g)	
Cake (475g)	
Grilled Chicken Pieces (200-600g)	
Grilled Kebabs (100-500g)	
Grilled Whole Chicken (800-1400g)	
Grilled Fish (200-600g)	
Grilled Sausage (100-500g)	
Grilled Sweet Potato (150-450g)	
Pizza (150-450g)	
Grilled Steak (200-600g)	

## SETTING THE SYSTEM

### Setting the Time and Date

Select “System Settings” on the home page. Choose “Date and Time”. Slide the date interface up or down and enter a desired date and then press “Confirm”.

The interface will then enter the time setting mode. Slide the interface up or down to enter the time, and then press “Confirm”.

### Setting the Display and Brightness

Select “System Settings” on the home page. Choose “Display & Brightness”, slide the Brightness Adjustment left or right to adjust the oven brightness.

### Factory Reset

Select “System Settings” on the home page. Choose “Factory Reset” and the oven will prompt you “Are you sure to restore factory reset?”. Click “Yes” to restore factory settings.

**NOTE:** Please take care as this function will restore all settings for the user.

### Auto Child Lock function


Select “System Settings” on the home page. Choose “Auto Child Lock” to turn on it. The system will enter child lock mode if there is no operation for a period of time.

## SYSTEM POWER DOWN PROTECTION

During cooking, if the oven encounters an unexpected power outage of no more than 24 hours, when the power returns the system will default to suspend mode and prompt the user to continue cooking. To resume, press “YES”, if not, press “NO”.

## SETTING THE LAMP

The lamp will be switched on when a cooking programme starts. It will be switched off one minute after the cooking ends.

When the lamp is off, the user can press the “” button to turn it on. The lamp will light for one minute after every press.

## TROUBLE SHOOTING

During cooking or setting, if the display shows "E-1", "E-2".....", E-6", press the "ⓘ" to return to the home page operation interface then contact customer service.

Error code	Possible reasons
E-1	Inverter failure
E-2	Communication failure between power supply board and display board
E-3	Low temperature alarm
E-4	High temperature alarm
E-5	Open circuit alarm
E-6	Short circuit alarm

**NOTE:** The oven should only be adjusted or repaired by qualified service personnel.

## CLEANING AND CARE

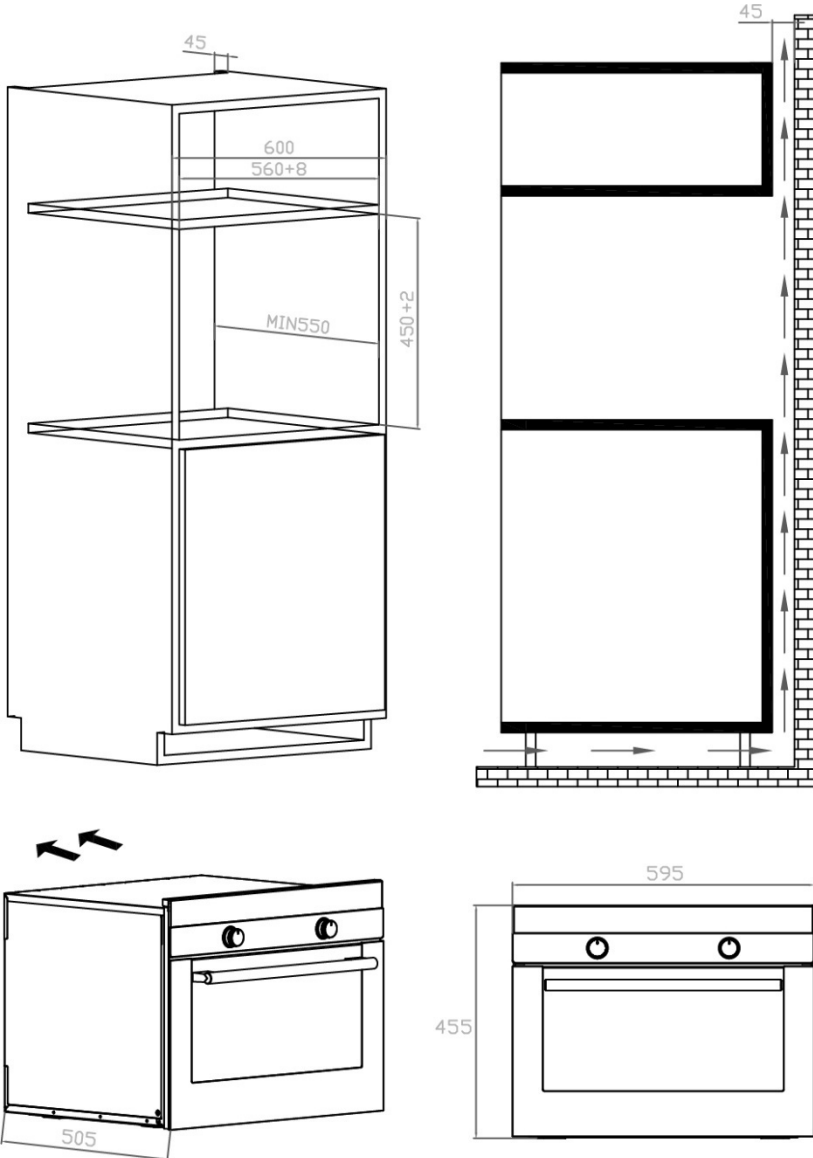
1. Always turn the oven off and unplug the power cord from the wall when cleaning.
2. Keep the inside of the oven clean. When food spatters or spilled liquids adhere to the oven walls, wipe with a damp cloth. Mild detergents may be used if the oven gets very dirty. Avoid using spray or other harsh cleaners as they may stain, streak or dull the door surface.
3. The outside of the oven should be cleaned with a damp cloth. To prevent damage to the operating parts inside the oven, water should not be allowed to seep into the ventilation openings.
4. Wipe the door and window on both sides, the door seals, and adjacent parts frequently with a damp cloth to remove any spills or spatters. Do not use an abrasive cleaner.
5. A steam cleaner is not be used.
6. Do not allow the control panel to become wet. Clean with a soft, damp cloth. When cleaning the control panel, leave the oven door open to prevent the oven from being accidentally turned on.
7. If steam accumulates inside or around the outside of the oven door, wipe with a soft cloth. This may occur when the microwave oven is operated under high humidity conditions and is normal.
8. The oven floor should be cleaned regularly to avoid excessive noise. Simply wipe the bottom surface of the oven with a mild detergent.
9. Remove odours from your oven by combining a cup of water with the juice and skin of one lemon in a microwaveable bowl. Microwave for 5 minutes on full power. Wipe thoroughly and dry with a soft cloth.
10. If the light bulb burns out, please contact customer service to have it replaced.
11. The oven should be cleaned regularly and any food deposits

should be removed. Failure to maintain the oven in a clean condition could lead to a deterioration of the surface that could adversely affect the life of the unit and could possibly result in a hazardous situation.

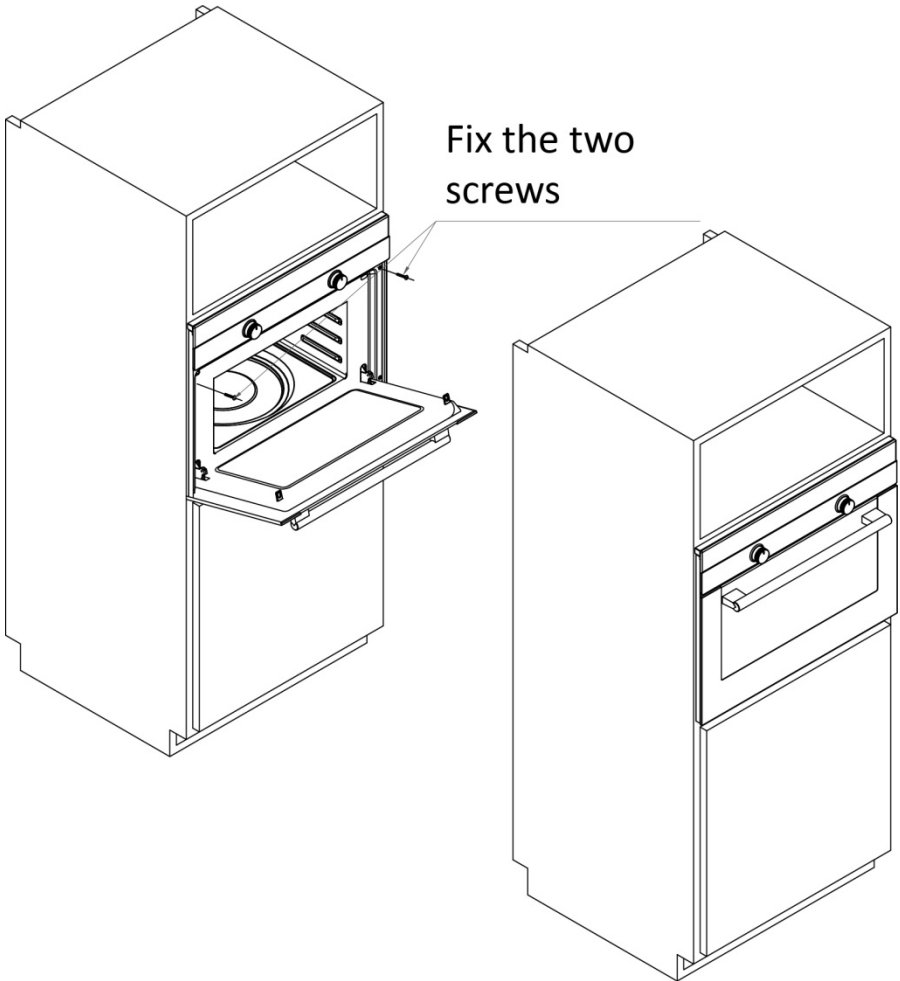
12. Please do not dispose of this appliance into a domestic rubbish bin; it should be disposed in accordance with your local authority requirements.
13. When the microwave oven with grill function is first used, it may produce slight smoke and smell. This is a normal phenomenon because the oven is made of a steel plate coated with lubricating oil, which will burn off with heat. This phenomenon will disappear after a short period of use.

## INSTALLATION GUIDANCE

1. Assemble the cabinet according to the dimensions of the oven.

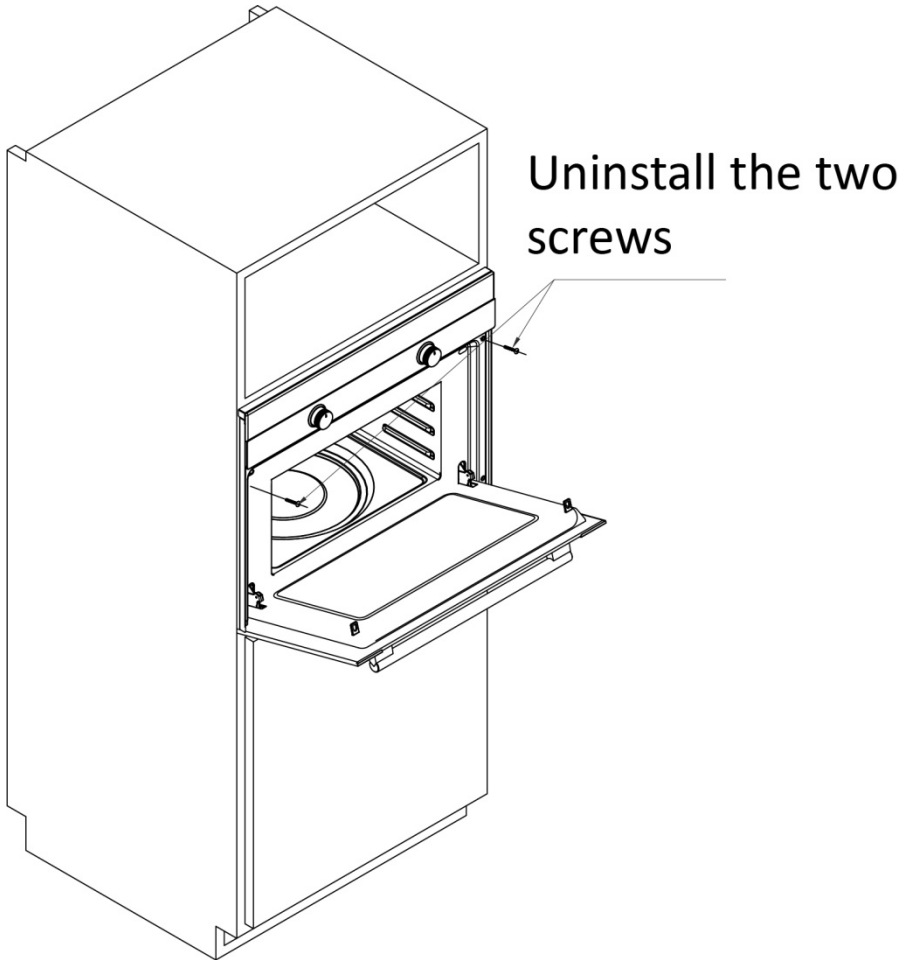


- Put the oven into the cabinet and fix the screws.





3. Uninstall the two screws before removing the oven from the cabinet.



Produced for:  
Galanz (UK) Ltd  
54 Clarendon Road  
WD17 1DU  
UK

The user manual can also be checked and downloaded from our website: [www.galanz.co.uk](http://www.galanz.co.uk)



**Galanz**